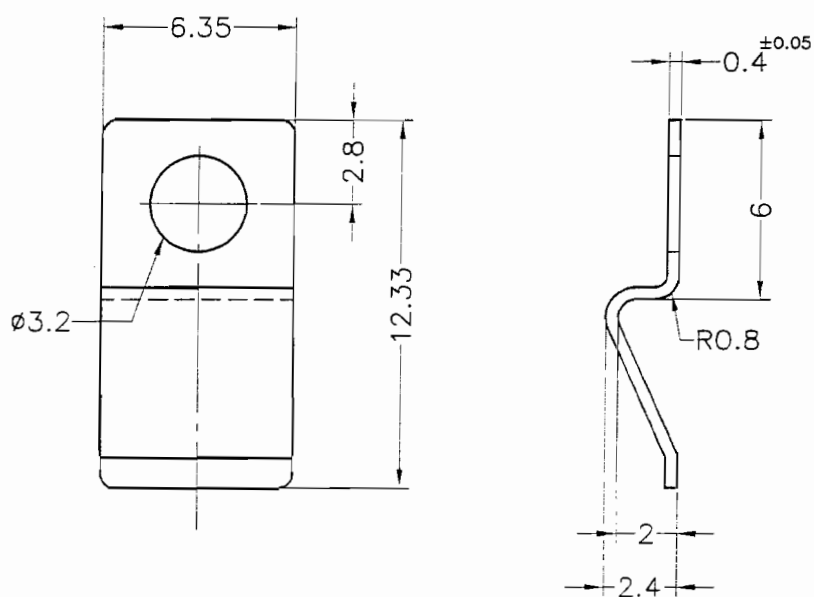

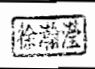


REVISIONS			
REV	DESCRIPTION	DATE	BY



 <p> 康揚企業股份有限公司 KANG YANG HARDWARE ENTERPRISE CO., LTD. 東莞康揚塑膠五金電子廠 DONG GUAN KANG YANG PLASTIC HARDWARE COMPANY 康哲電腦配件(吳江)有限公司 KANG CHE COMPUTER COMPONENTS(WUJIANG) CO.,LTD. </p>	TITLE		功率晶體壓板		產品規格圖面		
	MATERIAL		SUS		DATE		2008.04.21
	FINISH				DRAWN		BUNNY
	COLOR				CHECK		
PART NUMBER		DRAWING NUMBER		UNLESS OTHERWISE SPECIFIED TOLERANCE		APPROVED	
TRK-24		TRK-24		±0.2		Kang	
SIZE	SCALE	UNIT	REV				
A4	4:1	mm	A				