

Partial Overlap Windings

■ Description

- ▶ A partial overlap in the energy transfer transformer assembly between the first winding and second windings to tune leakage inductance

■ Benefits

- ▶ Reduces common mode noise from the ac input line
- ▶ Reduces component count and saves space on the circuit board
- ▶ **Could be used in:** LLC converters

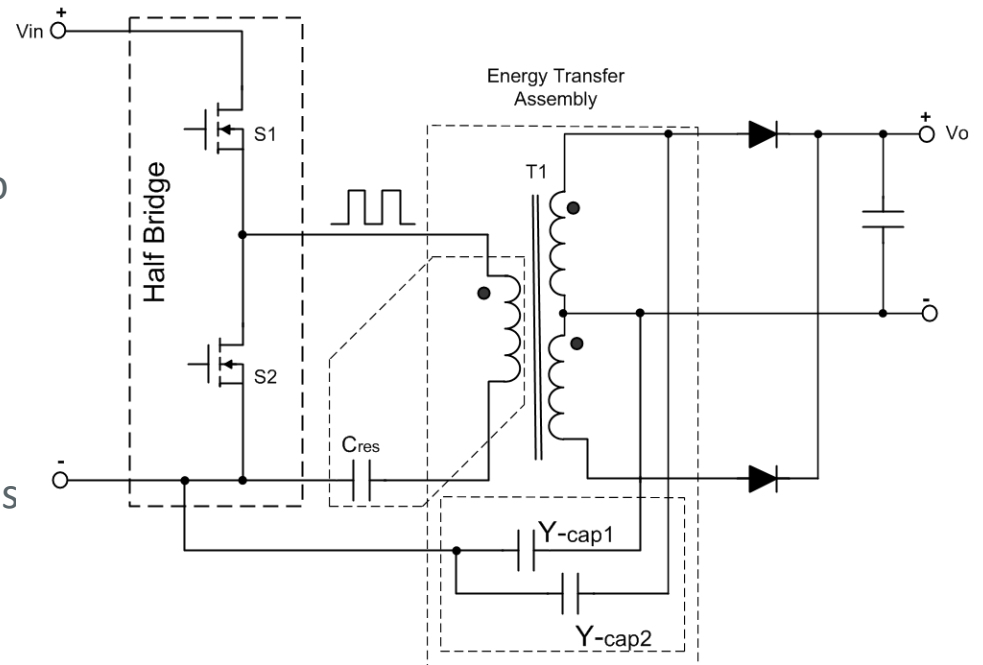


Figure 1. Example circuit diagram of an energy transfer assembly with partial overlap windings

Partial Overlap Windings

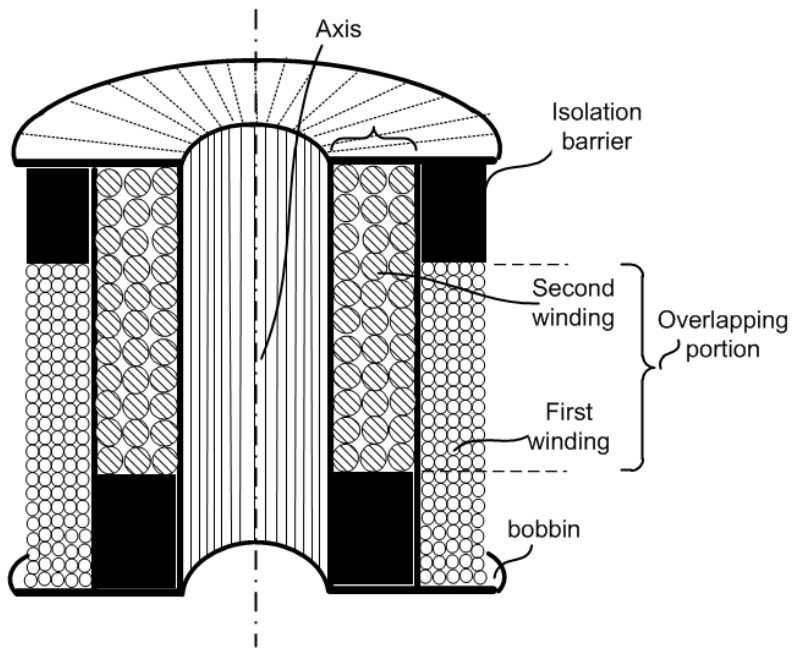


Figure 2. Energy Transfer Assembly Example 1

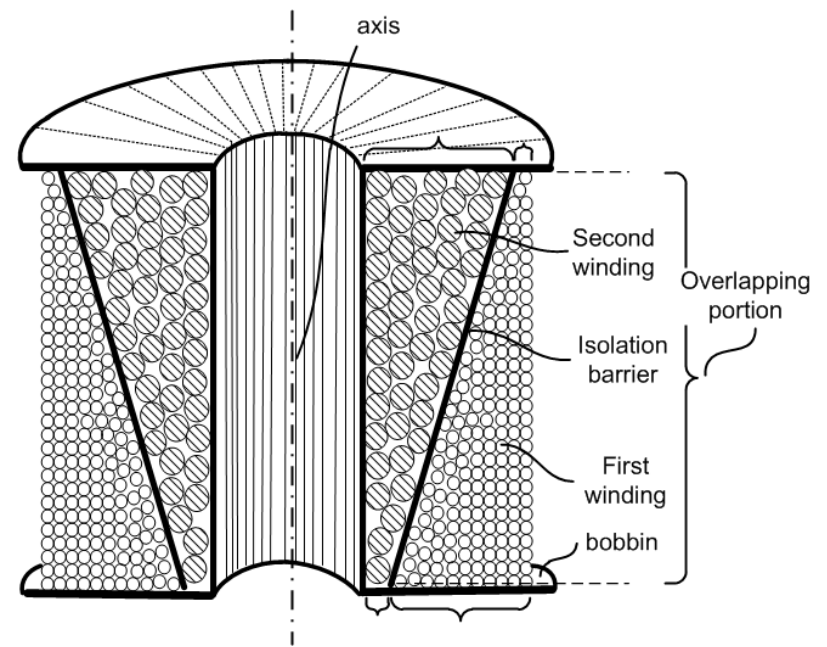


Figure 3. Energy Transfer Assembly Example 2