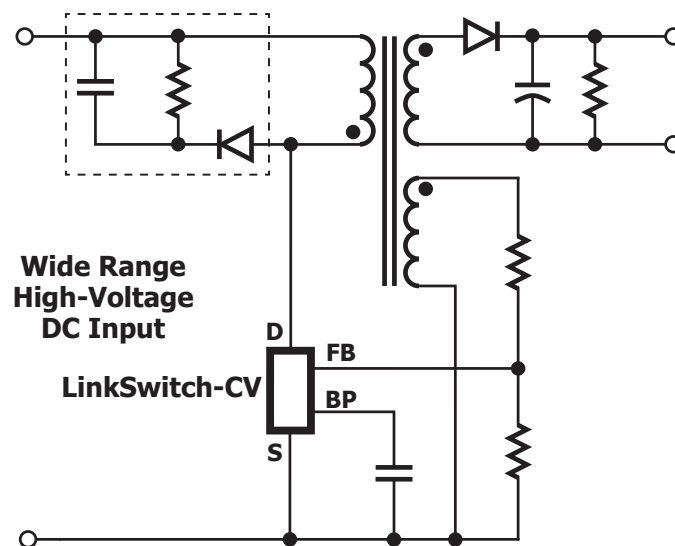


LinkSwitch™-CV

- Eliminates optocouplers and secondary CV control in isolated designs
- Direct and accurate feedback in non-isolated designs
- 100 kHz operation for small magnetics
- Below 70 mW no-load and high efficiency at light-load



Off-Line Switcher with Accurate Primary-Side CV Control



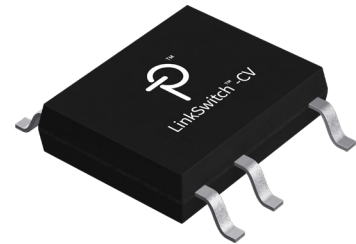
PI-5195-012915

Applications

- Home appliances, white goods and consumer electronics
- Standby and auxiliary supplies
- Industrial controls
- Adapters

Output Power

Product	230 VAC ±15		85-265 VAC	
	Adapter (W)	Open Frame (W)	Adapter (W)	Open Frame (W)
LNK623PG/DG	6.5	9	5	6
LNK624PG/DG	7	11	5.5	6.5
LNK625PG/DG	8	13.5	6.5	8
LNK626PG/DG	10.5	17	8.5	10



SO-8C (D package),
DIP-8C (P package)

Design Support

Data Sheet	LinkSwitch-CV data sheet (www.power.com/linkswitch-cv-data-sheet)
Application Note	LinkSwitch-CV design guide (AN-45) (www.power.com/an-45)
Design Example	5 W, 85-265 VAC constant voltage adapter (DER-669) (www.power.com/der-669)
Design Example	10 W non-isolated tapped buck power supply (DER-572) (www.power.com/der-572)