

Rectifier with an Input Line Fault Indicator

■ Description

- ▶ A circuit which rectifies an ac line voltage and provides an indicator signal to a controller of a power converter to indicate a fault condition in the ac line voltage V_{AC}
- ▶ Indicates a fault if the ac line voltage V_{AC} has been removed from the input of the power converter or fallen below a threshold value

■ Benefits

- ▶ Works with two line and three line systems
- ▶ Very low power consumption
- ▶ Low cost
- ▶ **Could be used with:** LNKZero-AX

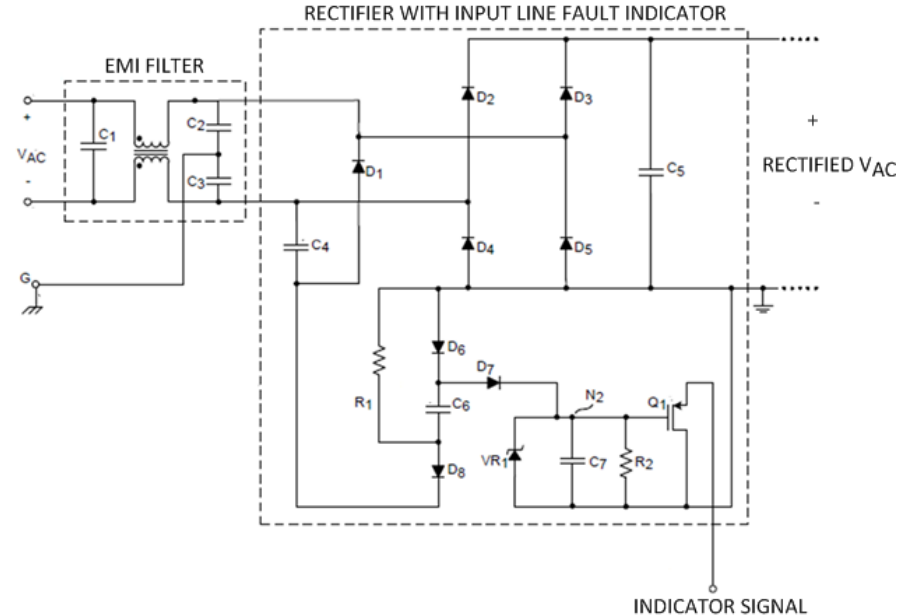


Figure 1. Example circuit which rectifies and provides an indicator signal